



**BSR/ASHRAE Addendum a to  
ANSI/ASHRAE Standard 154-2016**

**Public Review Draft**

# **Proposed Addendum a to Standard 154-2016, Ventilation for Commercial Cooking Operations**

**First Public Review (May 2020)  
(Draft shows Proposed Changes to Current Standard)**

This draft has been recommended for public review by the responsible project committee. To submit a comment on this proposed standard, go to the ASHRAE website at [www.ashrae.org/standards-research-technology/public-review-drafts](http://www.ashrae.org/standards-research-technology/public-review-drafts) and access the online comment database. The draft is subject to modification until it is approved for publication by the Board of Directors and ANSI. Until this time, the current edition of the standard (as modified by any published addenda on the ASHRAE website) remains in effect. The current edition of any standard may be purchased from the ASHRAE Online Store at [www.ashrae.org/bookstore](http://www.ashrae.org/bookstore) or by calling 404-636-8400 or 1-800-727-4723 (for orders in the U.S. or Canada).

This standard is under continuous maintenance. To propose a change to the current standard, use the change submittal form available on the ASHRAE website, [www.ashrae.org](http://www.ashrae.org).

The appearance of any technical data or editorial material in this public review document does not constitute endorsement, warranty, or guaranty by ASHARE of any product, service, process, procedure, or design, and ASHRAE expressly disclaims such.

©2020 ASHRAE. This draft is covered under ASHRAE copyright. Permission to reproduce or redistribute all or any part of this document must be obtained from the ASHRAE Manager of Standards, 1791 Tullie Circle, NE, Atlanta, GA 30329. Phone: 404-636-8400, Ext. 1125. Fax: 404-321-5478. E-mail: [standards.section@ashrae.org](mailto:standards.section@ashrae.org).

**ASHRAE, 1791 Tullie Circle, NE, Atlanta GA 30329-2305**

(This foreword is not part of this standard. It is merely informative and does not contain requirements necessary for conformance to the standard. It has not been processed according to the ANSI requirements for a standard and may contain material that has not been subject to public review or a consensus process. Unresolved objectors on informative material are not offered the right to appeal at ASHRAE or ANSI.)

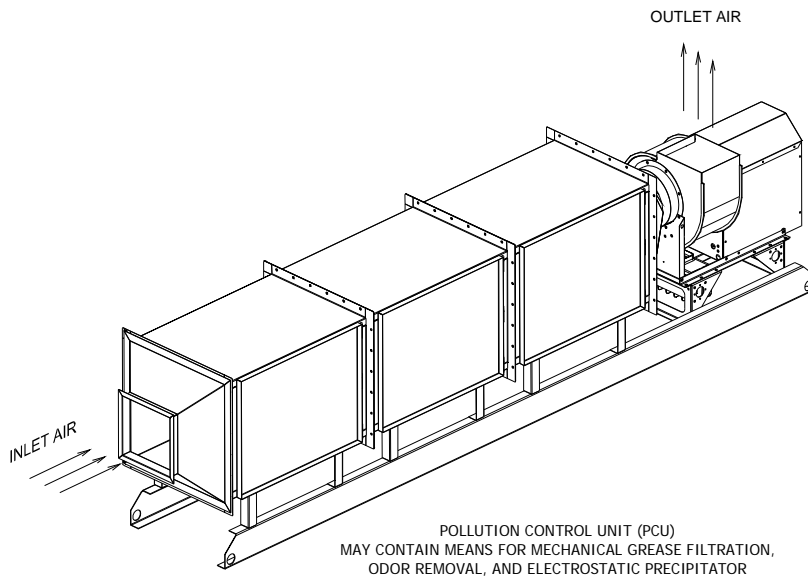
## FOREWORD

*Coherence with ASHRAE HVAC Applications Handbook 2019 publication Chapter 34 Section 1.7.*

[Note to Reviewers: This addendum makes proposed changes to the current standard. These changes are indicated in the text by underlining (for additions) and ~~striketrough~~ (for deletions) except where the reviewer instructions specifically describe some other means of showing the changes. Only these changes to the current standard are open for review and comment at this time. Additional material is provided for context only and is not open for comment except as it relates to the proposed changes.]

## INFORMATIVE APPENDIX F – POLLUTION CONTROL UNIT USED IN TYPE 1 EXHAUST APPLICATIONS

**F1. Pollution Control Unit.** Type I duct incorporated equipment utilized for the abatement of commercial kitchen smoke and odor. ~~These units (Figure F-1), not equipped with electrostatic precipitators shall be listed in accordance with the applicable requirements of UL 8782, Outline of Investigation for Pollution Control Units for Commercial Cooking Operations.~~ Pollution Control Units shall be listed in accordance with Outline of Investigation for Pollution Control Units for Commercial Cooking Operations, UL 8782.



**Figure. F-1** Pollution Control Unit